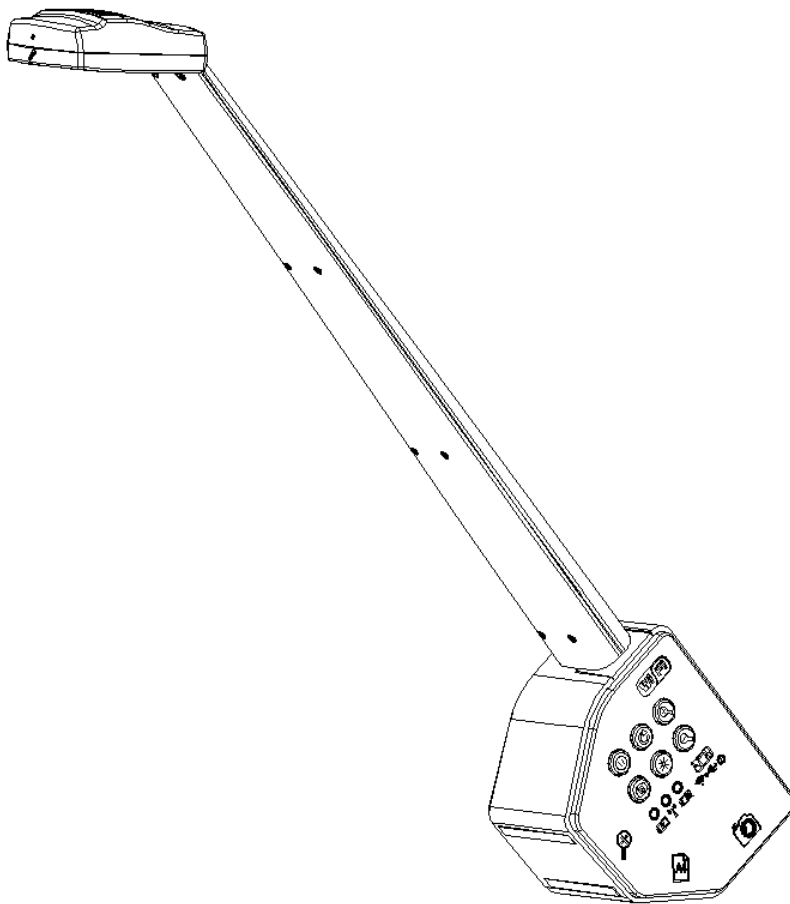

Scanner

User's Manual



Content

CHAPTER 1 NOTES AND SAFETY REQUIREMENTS	1
1.1 Cautions and Notes	1
CHAPTER 2 SOFTWARE SYSTEM REQUIREMENTS	2
2.1 System Requirements under USB Work Mode	2
2.2 System Requirements under WiFi Work Mode	2
CHAPTER 3 PACKING CHECKLIST	3
CHAPTER 4 FUNCTION INTRODUCTION	4
4.1 Introduction of Hardware and Its Functions	4
4.1.1 Buttons and Functions	5
4.2 Units of the Main body	7
4.3 Introduction of Each Unit	8
CHAPTER 5 INSTRUCTION	9
5.1 USB Wired Work Mode	9
5.1.1 Install Micro scanner Software	9
5.1.2 Connect Device	9
5.1.3 Open the Software	9
5.1.4 Start to Use	9
5.2 WiFi Work Mode – IOS system	9
5.2.1 Install Ucam Plus for iOS software	9
5.2.2 Connect Device	9
5.2.3 Open Software	10
5.2.4 Start to Use	10
5.3 WiFi Work Mode – Android System	10
5.3.1 Install Software Ucam Plus for Android	10
5.3.2 To Connect Device	10
5.3.3 Run the Software	10
5.3.4 Start to Use	10
CHAPTER 6 FUNCTION INSTRUCTION	11
6.1 Use Steps and Function	11
6.1.1 Install Software	11
6.1.2 Connect Device	11
6.1.3 Function Instruction	11

Chapter 1 Notes and Safety Requirements

1.1 Cautions and Notes

- (1) To avoid danger or damage incurred to the lens, do not touch the lens or sensor directly with your fingers.
- (2) To avoid failure or electric shock hazard and so on, do not disassemble or modify the internal structure of the device.
- (3) Do not plug in or unplug the USB port when hands are wet.
- (4) Do not use alcohol and other organic solvents to clean.
- (5) If the lens or sensor is dirty or damp, you should better use dry and non-linen fabric or professional lens tissue to wipe them. To avoid scratches on the surface, do not touch the lens with your fingers. Wipe the lens or sensor lightly.
- (6) The products are not specifically designed for an outdoor use. Do not expose it to outdoor environment without any protection. Excessive temperature and humidity will damage the lens. Please avoid using the product under the following environment: high temperature or high humidity environment, places with direct sunlight, dirt or vibration and places near heat source.
- (7) Please use and store in the following environment:
Operating temperature : $-10^{\circ}\text{C} \sim 50^{\circ}\text{C}$
Storage temperature: $-20^{\circ}\text{C} \sim 60^{\circ}\text{C}$
Operating Humidity : 30~80%RH
Storage Humidity: 10~60%RH
- (8) If any foreign matter, water or liquid enter into the device by accident, disconnect the USB cable immediately. Please send it to the maintenance center and do not use the hair dryer to dry it by yourself.
- (9) To prevent microscope from being tripped over or dropped, please put away the device's USB cables in use or standby.
- (10) To avoid electric shock by accident, please power off microscope before you move your computer or laptop.
- (11) The cleanliness of the device lens will directly affect clarity degree of contents from the computer screen during preview. Problems like various circles or spots on the screen may mostly be incurred by dirt on the lens. When cleaning, please use professional lens tissue or other professional detergent to clear the dirt on the lens.

Chapter 2 Software System Requirements

2.1 System Requirements under USB Work Mode

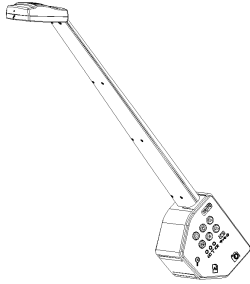
- Windows XP SP3、 Windows 7 (32 or 64 bits)、 Windows 8 (32 or 64 bits)、 Windows 8.1 (32 or 64 bits)、 Windows 10 (32 or 64 bits)。
- Dual core **2.8GHz** or higher CPU
- USB **2.0** high-speed interface or USB2.0 compatible interface
- DVD-ROM driver (only needed when installing software)
- **2G or more memory**
- At least **4 GB available hard-disk space**

2.2 System Requirements under WiFi Work Mode

- 4.0 or above version for Android system.
- USB **2.0** high-speed interface or USB2.0 compatible interface
- DVD-ROM driver (only needed when installing software)
- **2G or more memory**
- 8.0 or above version for IOS system.

Chapter 3 Packing Checklist

1. Main body SCANNER



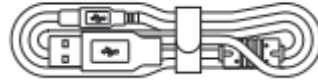
2. Installation disk



3. Adapter

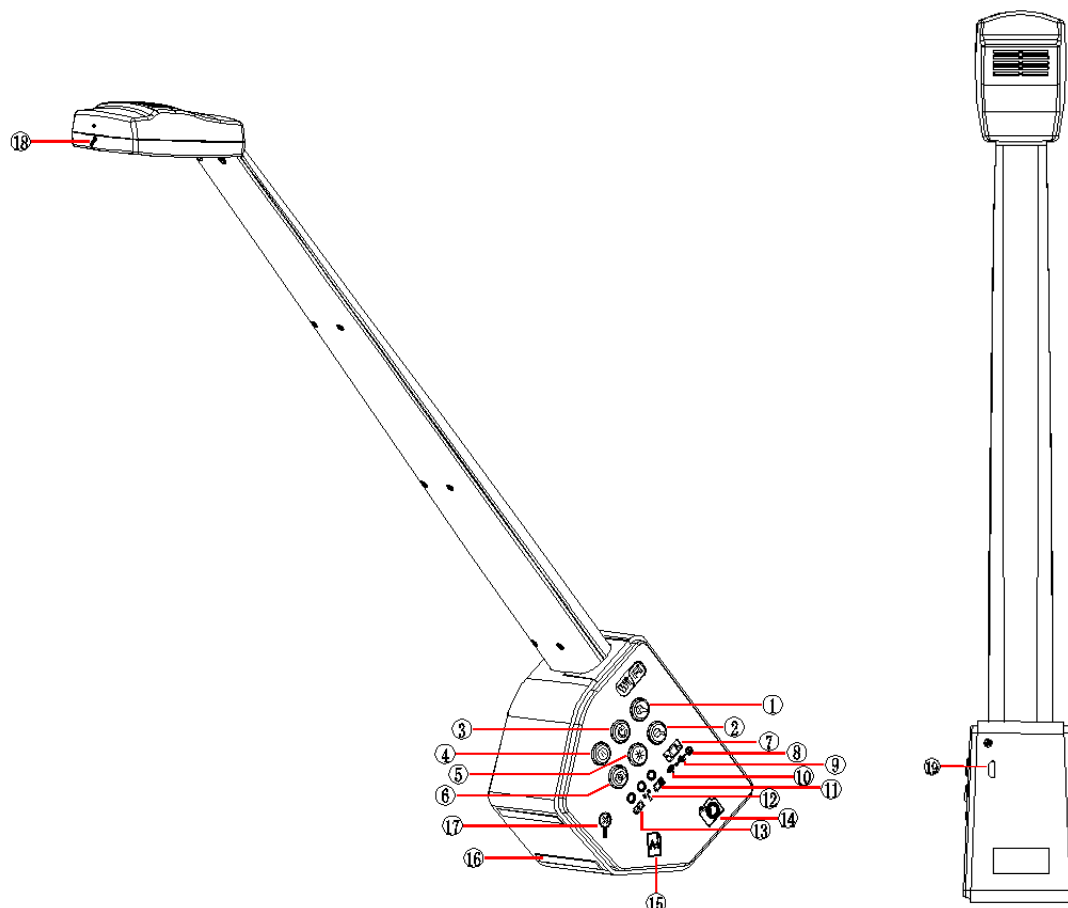


4. USB cable



Chapter 4 Function Introduction

4.1 Introduction of Hardware and Its Functions



- | | |
|---|----------------------|
| ① Zoom in button | ② Zoom out button |
| ③ Rotate button | ④ Freeze button |
| ⑤ LED brightness button | ⑥ Snapshot button |
| ⑦ Toggle switch | ⑧ Power off |
| ⑨ USB work mode | ⑩ WiFi work mode |
| ⑪ Battery indicator | ⑫ WiFi indicator |
| ⑬ Charge lamp | ⑭ Video shoot |
| ⑮ Position identification for A4 shoot | ⑯ Anti-skid foot pad |
| ⑰ Position identification for magnified shoot | ⑱ Microphone |
| ⑲ USB port | |

4.1.1 Buttons and Functions

1. Work Mode Button

(1) Wireless mode

When the button is switched to wifi mode, SCANNER works under wireless status. Then you can connect devices with wifi function to SCANNER for operation.

◇ For video image operation under this mode, please refer to *User Manual of Ucam Plus for iOS English* for wireless use.

(2) Wired USB mode

When the button is switched to wired USB mode, SCANNER works under wired status. Then you can connect USB cable with computer for operation.

◇ For video image operation under this mode, please refer to *User Manual of Micro scanner English* for wired Micro scanner use.

(3) Power off mode

When the button is switched to power off mode, SCANNER stops work.

2. LED indicator

(1) Charge indicator

When connected with adapter USB, SCANNER begins to charging. The flash rate of the charge indicator is relevant to the device's battery quantity.

Charge indicator flashes every 1.5 seconds for low power or no power.

Charge indicator flashes every 4 seconds for high power.

Charge indicator keeps green when battery charging is finished.

Charge indicator keeps flashing red for twice times/second when abnormal charging occurs.

Charge indicator keeps red when the battery stays heat.

(2) Wifi indicator

When the button is switched to on-status:

Turn on WiFi mode ⇔ WiFi indicator lamp blinking

WiFi indicator lamp is always on ⇔ Connected

(3) Battery indicator

High power: green light

Low power: red light

No power: the device turns to power off state after 30 times of red light flashing. You need to reset the button for new work.

When red light flashes, work can be done under charging mode.

(4) Switch

Start/close device

(5) Micro USB port

Connect standard adapter USB for charging SCANNER .

(6) Reset

Press zoom in and zoom out buttons simultaneously for 8 seconds or longer to reset wifi function to factory settings.

(7) WiFi upgrade

Connect the scanner to USB flash disk with otg, the uSB flash disk must contain the latest firmware provided, wifi function will be upgraded automatically after running the scanner.

3. LED light

The LED illumination has five levels. The illumination degree doubles every time you touch the button. You can freely adjust the LED light degree according to actual needs by recycling these five levels.

Recycle mode:

LED off → Glimmer → Medium illumination → Bright illumination →

Strong illumination → LED off

4. Other buttons function

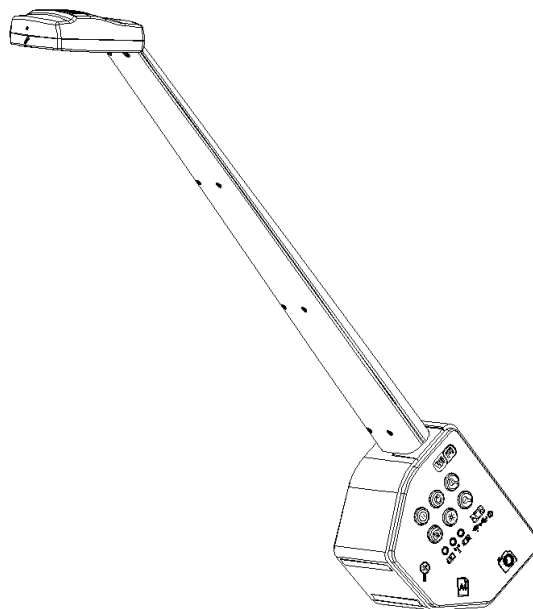
Snapshot, freeze, zoom in, zoom out, rotate

5. USB port

Connect standard adaptor USB for charging SCANNER . Connect PC USB with switch turned to wired USB mode to make SCANNER work under wired mode.

4.2 Units of the Main body

Main body: with fashionable appearance and light body, SCANNER covers multiple functions to be easily used. You can easily switch between three function modes, namely A4 document scan, video shoot and partial magnification. SCANNER is a new utility-type camera dedicated to scientific research and teaching and high efficiency office work. SCANNER adopts new-generation CMOS with actual 5 mega-pixel sensor chip, realizes automatic focus and uses exclusive wifi technique for watching through mobile phones, tablets or computers and also simultaneous watching for various people (family members), which avoid repeated focus and provide the most simple way for shoot saving.



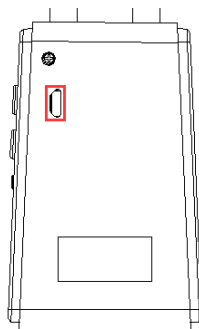
Chip: adopts new-generation CMOS with actual 5 mega-pixel sensor chip to drop the noisy point of the picture greatly. The software will automatically filter the adverse

elements for image quality on pictures.

USB port:

Charging and wired work mode can be done through USB port.

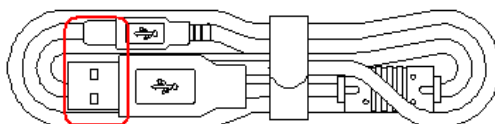
Auxiliary Micro USB port will realize high-speed data output with PC and quick charge.



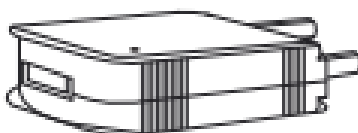
4.3 Introduction of Each Unit

USB data cable: charge the electronic eyepiece through inserting USB to adapter or PC.

With this USB cable, data transfer more safe, stable and effective.



Power adapter: power adapter is combined with USB cable for charging the electronic eyepiece. Rated operational voltage is among AC100V-240V,50-60Hz to meet requirements from different regions.



Chapter 5 Instruction

5.1 USB Wired Work Mode

5.1.1 Install Micro scanner Software

Put the affiliated disk into the DVD disk of the computer, click the file “Micro scanner Install” and finish the application software installation according to prompts of the software. For detailed install methods, please refer to *User Manual of Micro scanner English*.

5.1.2 Connect Device

Connect the micro USB (smaller end) of the affiliated USB cable to the USB port of SCANNER and USB-A (bigger end) of the USB cable to the USB port of the computer.

5.1.3 Open the Software

- (1) Switch the button to USB mode.
- (2) Put the object right under the camera.
- (3) Operate Micro scanner software of the computer for scanning documents and video shooting.
- (4) For detailed specifications, please refer to *User Manual of Micro scanner English*.

5.1.4 Start to Use

For detailed specifications, please refer to *User Manual of Micro scanner English*.

5.2 WiFi Work Mode – IOS system

5.2.1 Install Ucam Plus for iOS software

Download Ucam Plus from APP Store of apple and install it.

5.2.2 Connect Device

- (1) Turn the work mode switch of SCANNER on WiFi work mode. Within 3 seconds, WiFi work indicator flashes blue of the SCANNER.
- (2) Setup for IPAD or IPHONE system – connect SCANNER under WiFi mode, WiFi name for exemple, WiFiCamera_xxxxxx, code 12345678

5.2.3 Open Software

- (1) Put the object right under the camera.
- (2) Run the KoPa Vision Pro software on the desk of the system for scanning documents and video shoot.

5.2.4 Start to Use

Please refer to *User Manual of Ucam Plus for iOS English* for wireless use.

5.3 WiFi Work Mode – Android System

5.3.1 Install Software Ucam Plus for Android

The following two methods may be used in software installation:

- (1) Download Ucam Plus from Google play and install it.
- (2) Copy the software Ucam Plus for Android to Android system and install it.

5.3.2 To Connect Device

- (1) The work mode of SCANNER switch to WiFi mode, and the WiFi working indicator is always bright blue, which means is connected.
- (2) Setup for Android mobile phone or tablet system – connect WiFi electronic eyepiece under WiFi mode, WiFi name for exemple, WiFiCamera_XXXXXX, code 12345678

5.3.3 Run the Software

- (1) Position camera SCANNER and align the camera to objects to be viewed.
- (2) Run the software Ucam Plus on the desk of the system and observe the required image.

5.3.4 Start to Use

For detailed specifications, please refer to *User Manual of Ucam Plus for Android English*.

Chapter 6 Function Instruction

6.1 Use Steps and Function

6.1.1 Install Software

Please install software (for detailed operation please refer to software instructions) for first use.

6.1.2 Connect Device

1 Wireless Mode

Switch the button to wifi mode ➡ the device connects to wifi (WiFi name for example WiFiCamera_XXXXXX, code: 12345678) ➡ Run the Software

2 Wired Mode

Use micro usb cable to connect SCANNER to computer, switch the button to wired mode and open the Micro scanner.

6.1.3 Function Instruction

1 Specifications for SCANNER to scan A4 documents

- Put SCANNER slantly (i.e. place the A4 identification surface plane) and adjust the camera horizontally.
- Put the documents to be scanned right under the camera.
- Operate the software and scan the documents. (For detailed operation of the software please refer to software instructions.)

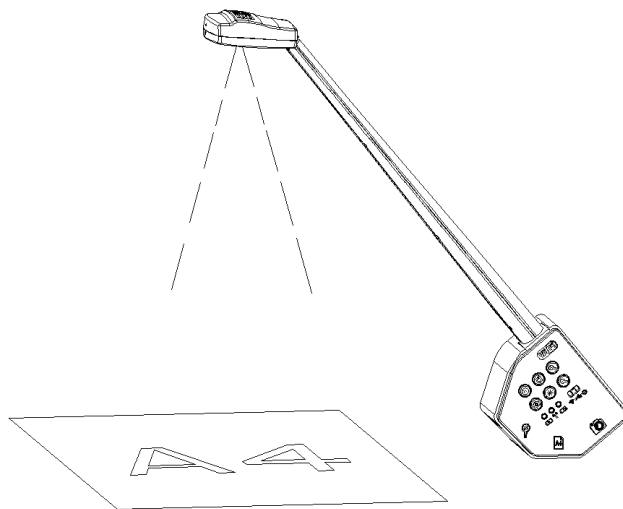


Image 1

2 Video shoot instruction of SCANNER

- a. Put SCANNER vertically (i.e. place the video shoot identification surface plane) and adjust the camera vertically (as shown in image 2).
- b. Set the SCANNER , adjust its place and align the camera to objects to be shot.
- c. Run the software and execute the software shoot function. (For detailed operation, please refer to software instructions.)

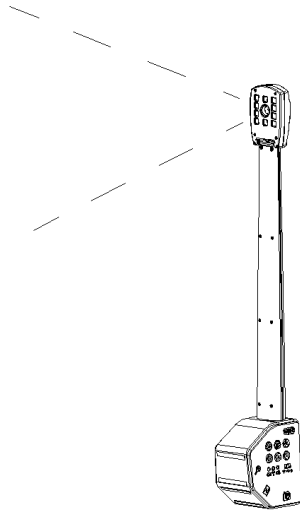


Image 2

3 Magnification instruction of SCANNER

- a. Position SCANNER horizontally (i.e. place the magnification identified surface plane) and adjust the camera horizontally.(as shown in image 3)
- b. Put the documents for magnification scan right under the camera.
- c. Run the software and scan the documents. (For detailed operation, please refer to software instructions.)

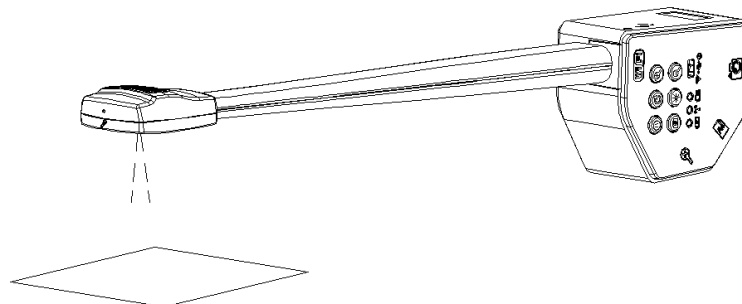


Image 3